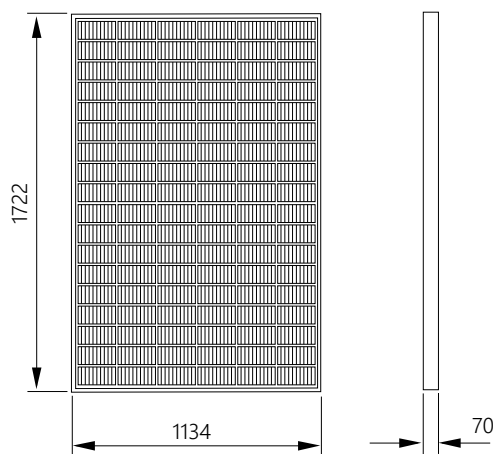


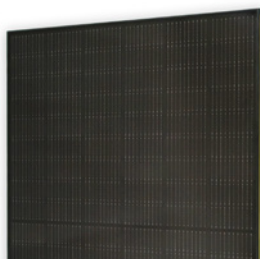


PV16-405-M10

- Simple roof integration with clean, low-profile aesthetic for new build and retrofit
- Rapid installation times of less than 45 min/kWp easily achieved
- Compatible with the widest range of slate and tile including special fixings for different batten thickness
- Fitted during the normal roofing programme, enabling clarity of responsibility and safe working practices
- Achieves highest fire rating and wind resistance without modifications to the roof



PV16-405-M10



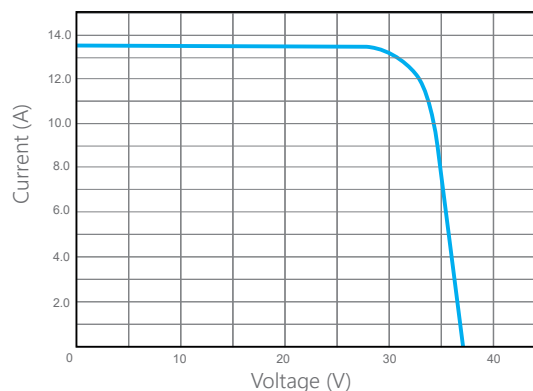
Mechanical Specification

Model	PV16-xxx-M10	
Aperture Area	m ²	1.885
Width	mm	1,134
Length	mm	1,722
Thickness	mm	70
Weight	kg	25.0
Static roof loading (distributed)	kg / m ²	12.8
Characteristic Wind Resistance	kPa	4.24
Ultimate Design Load ¹	kPa	4.24
Positive Design Load	IEC 61215	5.40
Roofing System Fire Rating	EN 13501-5	B _{ROOF} (T1, T2, T3, T4)
Power Warranty	% rated	90%10 years, 80% 25 years
Product Warranty		15 years
Standards		IEC61215, 61730, TUV, MCS05 , MCS12, BBA
Structural Durability		Equivalent to roof structure

Electrical Specification

Model	Clearline fusion PV16-XXX-M10	
Peak Power ²	Wp	405
Module Efficiency ³	%	21.5
Number of Cells		54x2
Maximum Power Voltage (V _{mpp})	V	31.02
Maximum Power Current (I _{mpp})	A	13.06
Open Circuit Voltage (V _{oc})	V	37.05
Short Circuit Current (I _{sc})	A	13.62
NOCT ⁴	°C	45.0
Cell Type		Monocrystalline Silicon
Power Temperature Coefficient	% / °C	-0.35
Current Temperature Coefficient	% / °C	0.05
Voltage Temperature Coefficient	% / °C	-0.28
Maximum System Voltage	VDC	1,000
Maximum Fuse Rating	A	25
Safety Classification		Class II
Electrical Connectors		Genuine Stäubli MC4 PV-KST4, PV-KBT4

I-V Curve



¹ Design resistance to ultimate loads includes a partial material safety factor of 1.0

² Subject to a manufacturing tolerance of +/- 3 %.

³ Based on aperture area.

⁴ Nominal Operating Cell Temperature

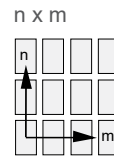
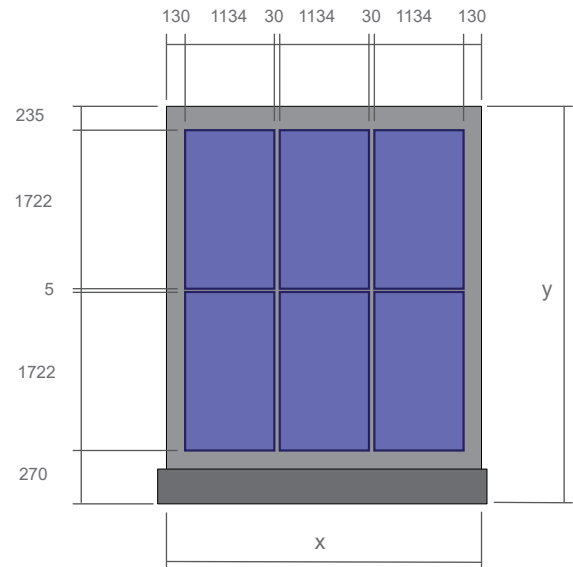
Electrical specification measured under standard test conditions: Irradiation 1 kW/m² with light spectrum AM 1.5 and a cell temperature of 25°C.

M10 Solar Photovoltaic Panels

Pitched Roof Integration

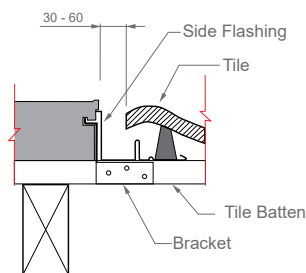
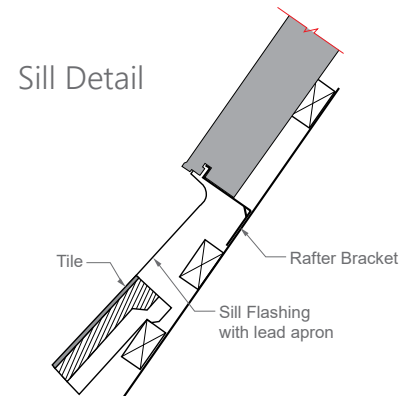
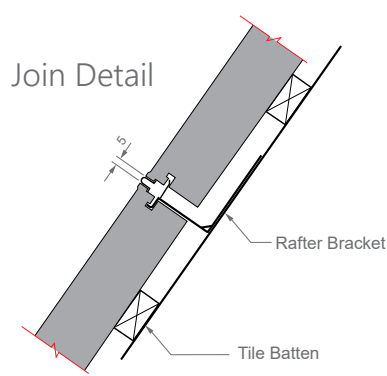
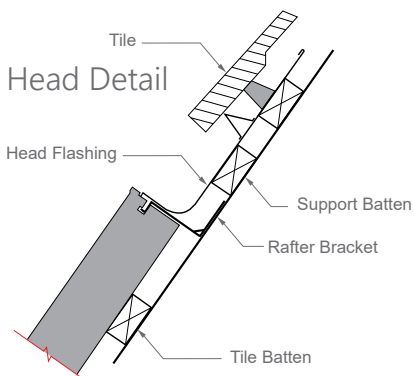
Sleek, low-profile integrated solar that replaces the roof covering for an improved aesthetic and for simple roof maintenance, now at similar cost to above-roof panels. Simple, beautiful, durable.

Solar never looked so good.

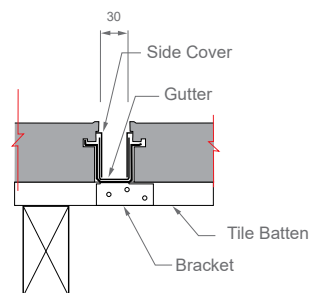


$$x = (m \times 1164) + 230$$

$$y = (n \times 1727) + 500$$



Side Detail



Gutter Detail
(joined flashings)